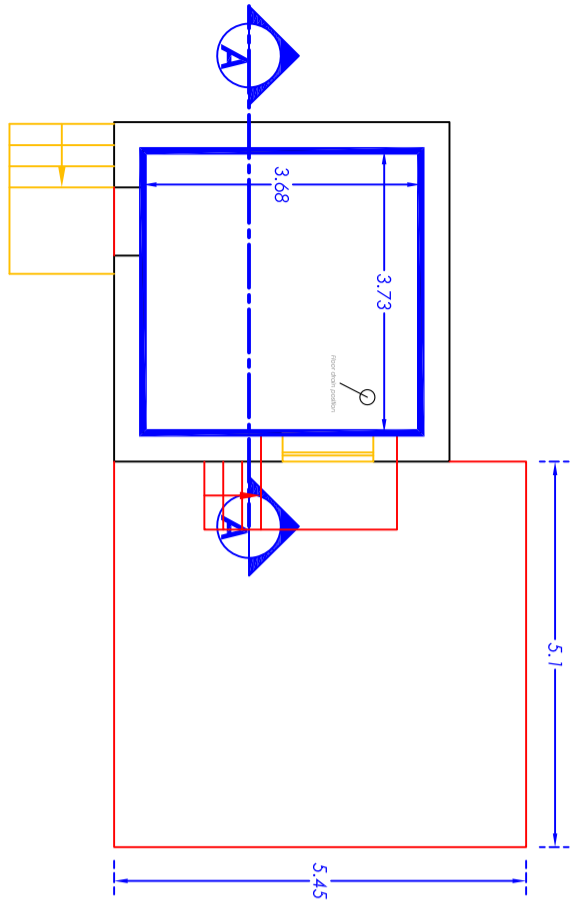
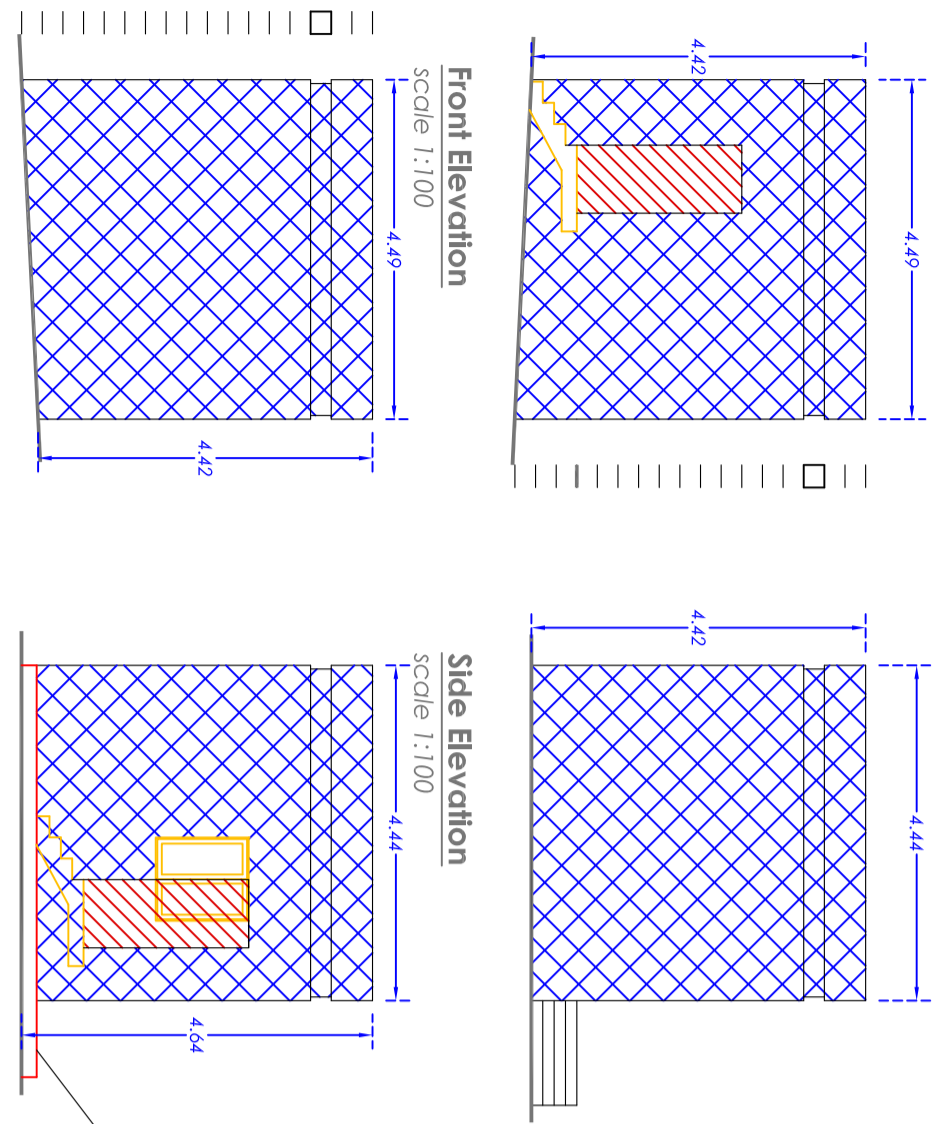


**Block Plan**  
scale 1:2000

- High gloss paint
- Rendered brickwork & outdoor high durable paint (Colour scheme is to match existing)



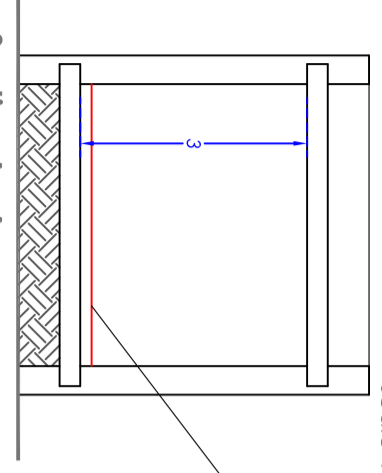
**Ground floor Room (A) Plan**  
scale 1:100



**Front Elevation**  
scale 1:100

**Side Elevation**  
scale 1:100

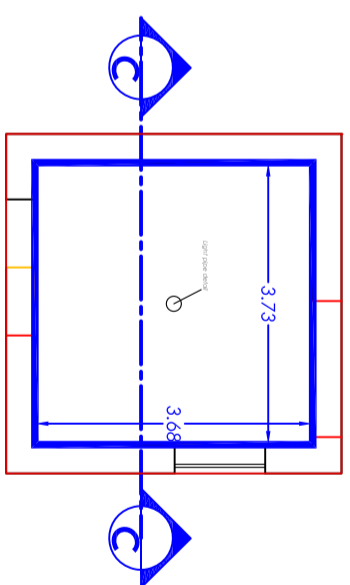
**Back Elevation**  
scale 1:100



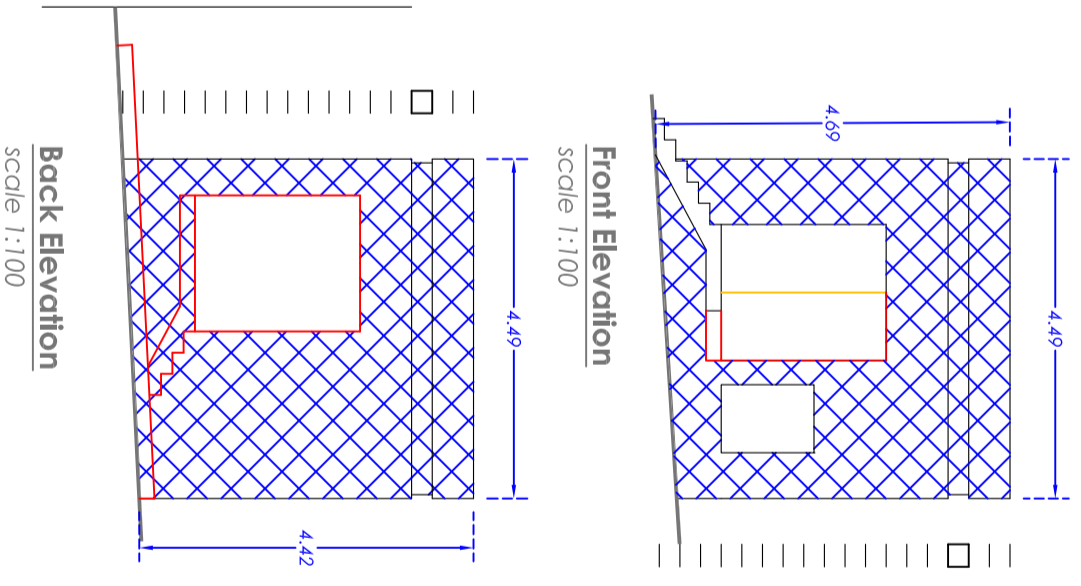
**Section A - A**  
scale 1:100

Concrete topping

Elevated platform

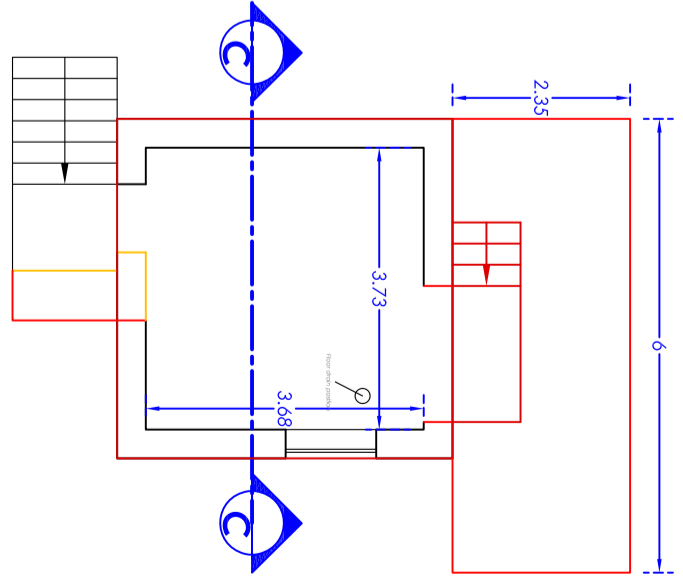


**Slab over Room (C) Plan**  
scale 1:100

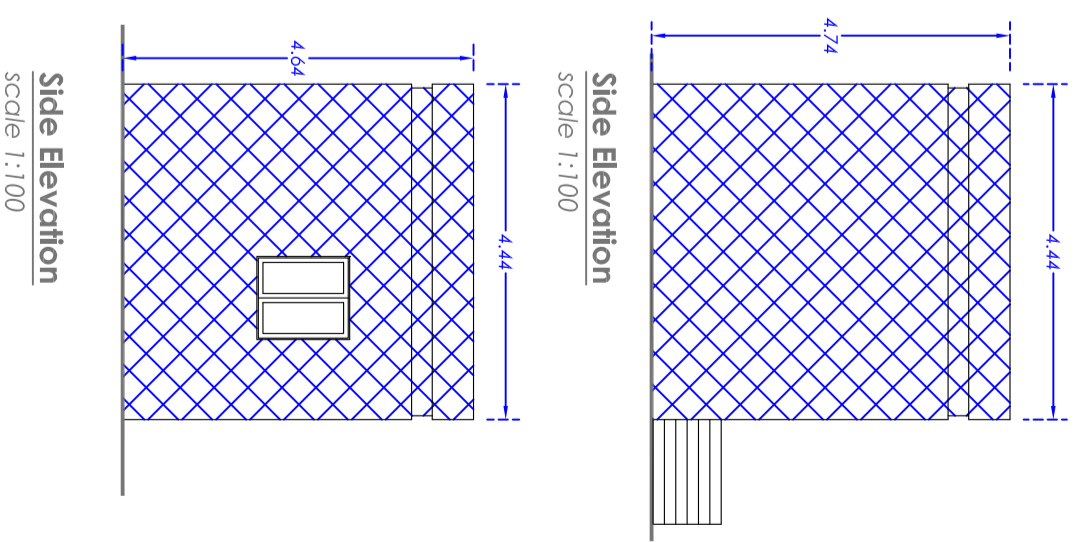


**Front Elevation**  
scale 1:100

**Back Elevation**  
scale 1:100

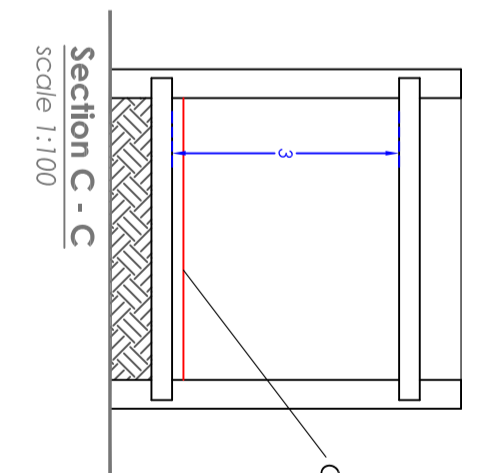


**Ground floor Room (C) Plan**  
scale 1:100



**Side Elevation**  
scale 1:100

**Side Elevation**  
scale 1:100



**Section C - C**  
scale 1:100

Concrete topping

**Prof. Perit Ruben Paul Borg**  
B.E.&A.(Hons.)(Melit.), Spec.Struct.Eng.(Milan), Ph.D.(Sheffield)  
Eur.Ing., C.Eng, MICE, C.Env., MIED, MICT, MCS, MASCE, A.&C.E

Address:  
25, TRIQ LUIGI BILLION,  
PEMBROKE PBK-1372  
Tel:  
+356 21375245  
E-Mail  
ruben.p.borg@gmail.com  
Mob:  
+356 79055680

Project:  
Xrobb I-Ghagin Nature Park

Drawing Title:  
Outbuildings - Rooms A & C

Project Ref. No.:  
07.2015

Date:  
28-07-2022

Drawn By:  
OB

Checked By:  
RPB

Scale:  
1:100  
on A2

Dwg. No.:  
D 05