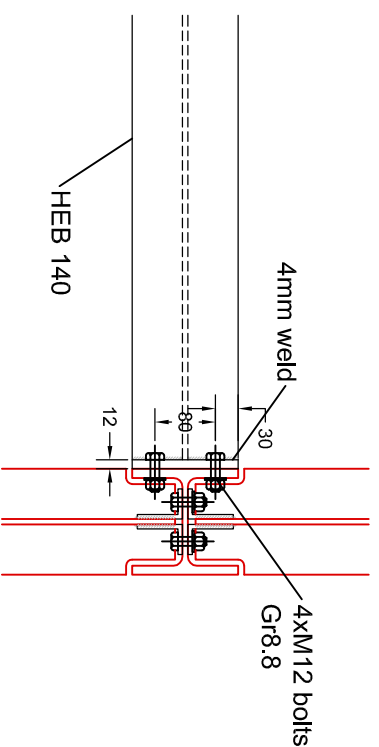
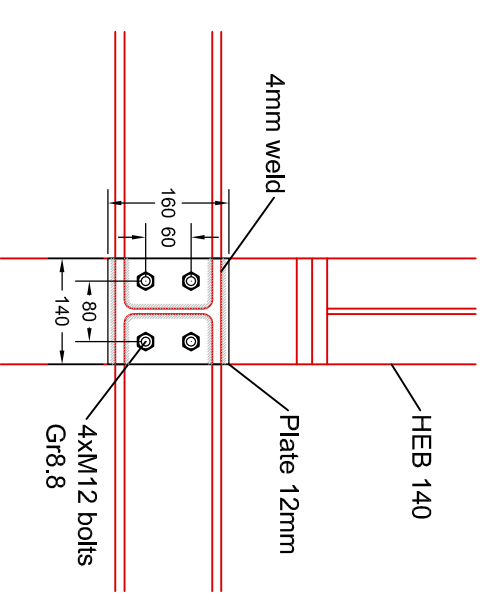


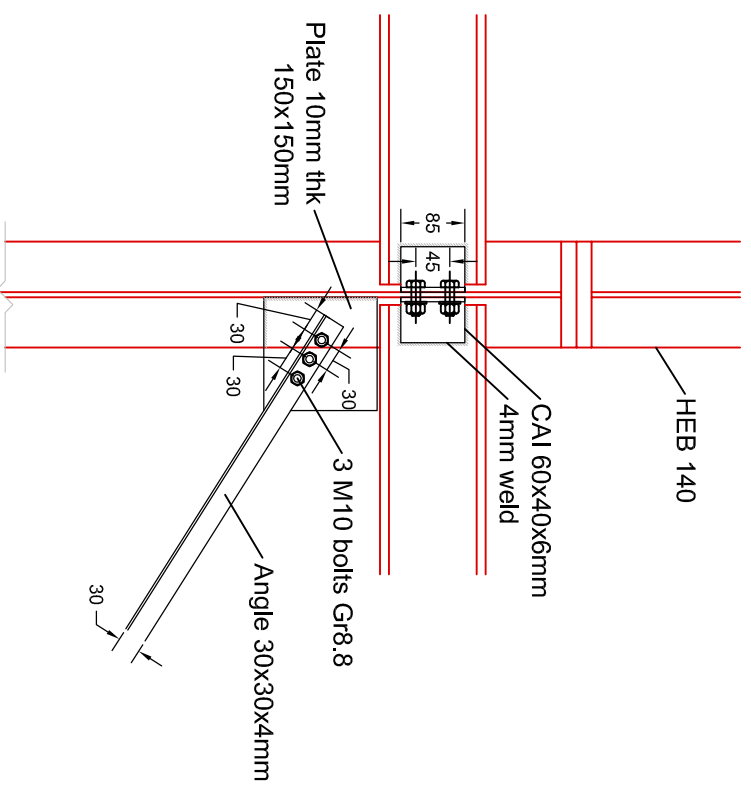
Detail 11 - Elevation



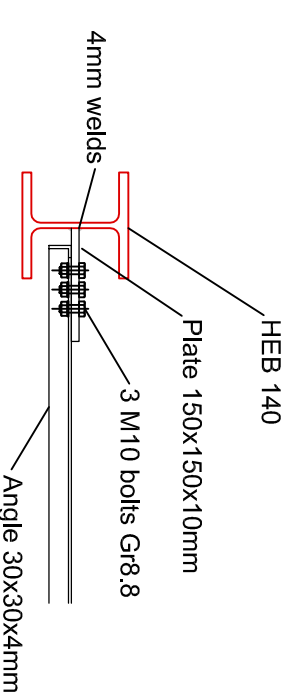
Detail 11 - Plan



Detail 11 - Section

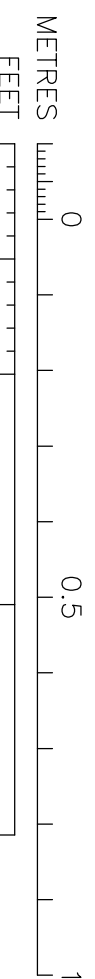


Detail 12 - Elevation



Detail 12 - Plan

NOTES:
 Structural steel grade S275
 Bolts - Grade 8.8, Galvanized
 Welds - Fillet type, E7018, thickness as indicated
 Bolt holes - 2mm clearance holes
 Steel protection - Hot-dip galvanized to BS EN ISO 1461, minimum coating thickness of 85 µm & Epoxy paint to meet the class C5M requirements.



SCALE 1:10

Prof. Perit Ruben Paul Borg

B.E.&A.(Hons.)(Mellit.), Spec.Struct.Eng.(Militan), Ph.D.(Sheffield)
 Eur.Ing., C.Eng, MICE, C.Env., MIED, MCT, MCS, MASCE, A.&C.E

Address:
 25, TRIO LUIGI BILLION,
 PEMBROKE PARK-1372
 Tel: +356 21375245
 E-Mail: ruben.p.borg@gmail.com

Mob: +356 79055690

Project:
Xrobb I-Ghagin

Project Ref. No.:
07.2015

Date:
11-05-2020

Drawing Title:
Beam details 11 & 12

Drawn By:
OB

Checked By:
RPB

Scale:
**1:10
 on A3**

Dwg. No.:
D13